



GENERAL SPECIFICATIONS

Features:

- Tub Mount, Floor, or Wall Mount Faucet options
- 66.9" (1700mm) x 31-1/2"(800mm) x 22.8"(580mm)

Material:

- High grade acrylic with fiberglass re-inforcement.

Code Standards:

- CSA B45.5-11/IAPMO Z124

TECHNICAL INFORMATION

- INSTALLED SIZE:	66.9" X 31.5 X 22.8 in. (1700 x 800 x 580mm)
- FLOOR FOOT PRINT	56.3 X 25.6 in. (1430 x 650mm)
- DRAIN LOCATION	Centered
- WEIGHT:	140.6 lbs (63.8 KGS)
- WEIGHT W/WATER	713.3 lbs (323.8 KGS)
- GALLONS TO OVERFLOW:	68.7 Gallons (260L)
- BATHING WELL AT SUMP:	44.1 x 21.7 in. (1120 x 550mm)
- BATHING WELL AT RIM:	62.6 x 29.1 in.(1590 x 740mm)
- WATER DEPTH TO OVERFLOW:	15.2in. (385mm)
- FLOOR LOADING (Project Area)	71.3 lbs per sq/ft (398.4 kg per sq/m)

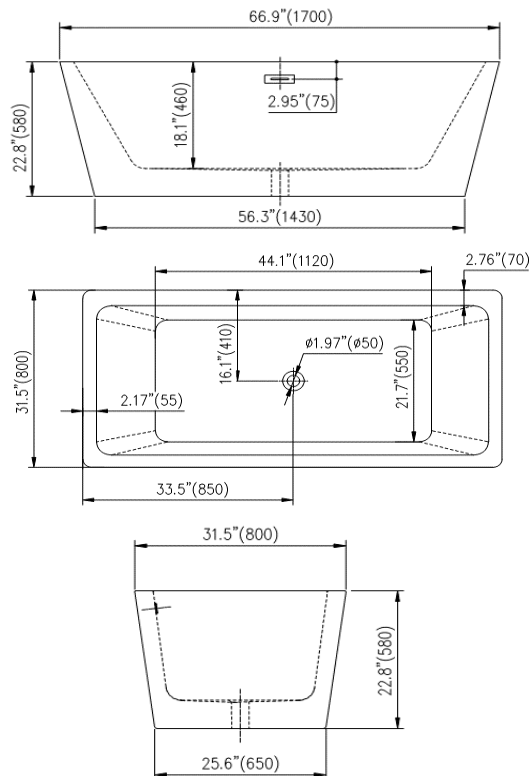
DIMENSIONS OF FIXTURES ARE NOMINAL AND MAY VARY WITHIN THE RANGE OF TOLERANCES ESTABLISHED BY ANSI STANDARDS Z124.1.2-2005

NOTES:

- Refer to the installation instructions supplied with this product for additional information.
- Provide suitable reinforcement for all supports.

IMPORTANT:

- These measurements are subject to change. No responsibility is assumed for use of superseded or voided leaflet.



ELEVATION SOURCING, LLC
15565 Wright Brothers Drive
Addison, Texas 75001
OFF: 214/572-2000